

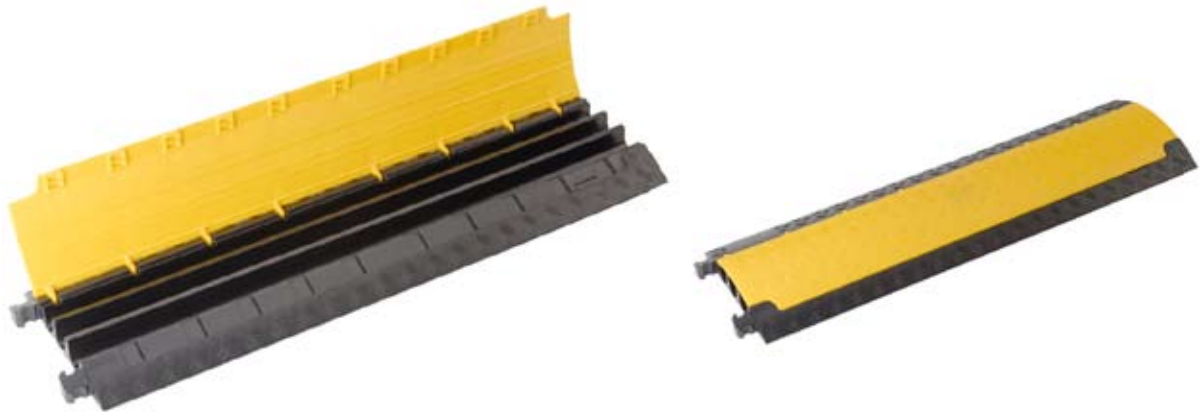


# coolenergy

TEMPERATURE RENTAL

Defender Pedestrian Ramps

Mini Series



## ABOUT THE PEDESTRIAN RAMPS

Cool Energy's pedestrian cable ramps protect cables and pipes from pedestrian traffic. The systems provided by Cool Energy allows for maximum flexibility thanks to supports moulded into the base of the system allowing the ramp to channel and protect a run of cables.

The cable ramps are manufactured from durable polyurethane with a ribbed non slip surface. The range is resistant to oils, acids, petrol and has a self-cleaning hinged closure. The ramp systems can be interconnected allowing any length to be created.

Technical		Defender Mini
Length	mm	1000
Width	mm	290
Height	mm	48
Material		Polyurethane
Max Cable Diameter	mm	35 x3 moulded ducts
Colour		Black/Yellow
Weight	Kg	5
Support Vehicle Weight		Yes load bearing capacity of 2 tons surface area of 200m x 200m
Operating Temperature	°C	-30 to +60

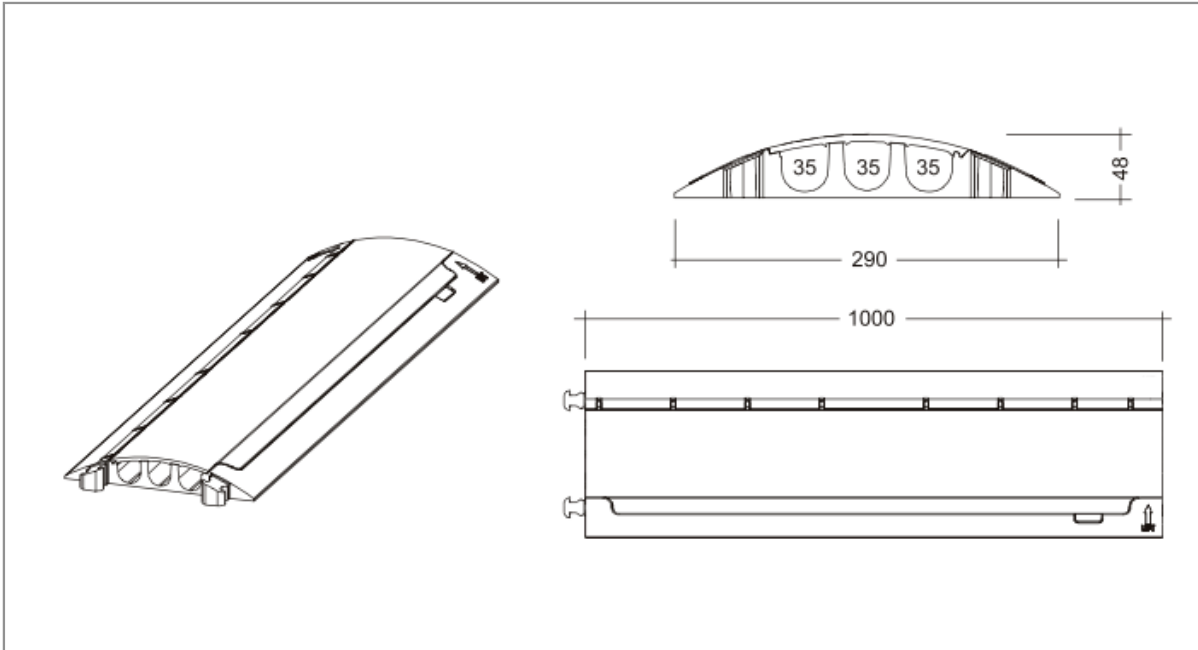
The range of Cool Energy Cable ramps is compatible with all of their portable range and internal 1" - 1.5" connecting hose.



# coolenergy

TEMPERATURE RENTAL

## GA DRAWING



### Head Office South

ICS House, Stephenson Road, Calmore Industrial Estate, Totton, SO40 3RY  
T (+44) 23 8052 7300 F (+44) 23 8042 8366

### Midlands

Birmingham Science Park Aston, Faraday Wharf, Holt Street, Birmingham B7 4BB  
T (+44) 121 326 7771 F (+44) 121 327 4114

### North

Floor 2, Caspian House, East Parade, Little Germany, Bradford BD1 5EP  
T (+44) 1274 740 877 F (+44) 1274 391 708

### Scotland

Unit 5, 53/58 South Avenue, Blantyre Industrial Estate, Blantyre, G72 0XB  
T (+44) 1698 723308 F (+44) 1698 723309

### Ireland

T (+353) 46 925 2934 F (+353) 46 925 2936

We also have four locations in Germany, Holland and Switzerland.  
Further information on these locations can be found at [www.coolenergy.eu](http://www.coolenergy.eu)



[www.coolenergy.co.uk](http://www.coolenergy.co.uk)

E&OE. All data is subject to change and continuous improvement without notice.  
Equipment designed to ISO 9001 and all relevant electrical, pressure and mechanical directives.  
© Cool Energy 2011. All rights reserved.

coolenergy  
TEMPERATURE RENTAL